

# RF-MSG-DST

## Radio Motor Control Unit

### Technical specifications and installation instructions

Item number 60541



## 1. Description

The RF-MSG-DST is a radio motor control unit for one drive (e.g. shade or window). Via an additional connector, another motor control unit is supplied with power (loop-through function).

A connected drive can be operated directly using the remote controls Remo 8/pro, via the button interface RF-B2-UP or the solar radio button Corlo P RF.

If the drive shall execute automatic functions, the RF-MSG-DST is taught into the radio channels of the WS1 Color/Style, WS1000 Color/Style or Solexa II controls.

### Functions:

- Control of drives for shading (e.g. shutters) or windows
- 1 connection for 230 V-drive
- 1 output 230 V AC (STAS3) for supply of further motor control units
- Reception of the radio control signal
- Suitable for Controls WS1 Color, WS1 Style, WS1000 Color, WS1000 Style, KNX WS1000 Style, Solexa II, Radio remote controls Remo 8 and Remo pro, button interface RF-B2-UP, push button Corlo P1 RF, push button Corlo P2 RF

### 1.0.1. Safety advice



#### WARNING!

#### Risk of injury caused by components moved automatically!

The radio transmission takes place over a non-exclusively available transmission channel. If the radio connection between the control system and the radio actuator is interrupted, connected devices can no longer be operated!

- Do not connect devices to the radio actuator that pose a danger to people or material property
- Devices with an increased risk of accident or high safety-related requirements must only be connected with additional safety devices (e.g. an emergency stop device)
- Observe the legal regulations governing the installation and operation of radio systems

### 1.1. Deliverables

- Radio motor control unit
- Rubber seal

Available accessories:

- Mains connection wire (5 m)
- Connection wire (available in 1 m; 2,5 m; 5 m)

### 1.2. Technical data

Housing	Plastic
Protection category	IP 54*
Dimensions	ca. 149 x 72 x 29 (W x H x D, mm)
Weight	ca. 180 g
Ambient temperature	Operation -25...+70 °C, storage -30...+85°C
Ambient humidity	max. 95% RH, avoid condensation
Operating voltage	230 V AC
Input	STAS3 plug, 230 V AC, 50 Hz
Output	1 x 230 V AC (loop-through), STAK3 coupling, max. 1.5 kW switch-on load per mains connection 1 x drive, STAK3 coupling, 230 V AC (up/down/N/PE), loadable to max. 4 A / 230 V AC
Radio frequency	868,2 MHz (Elsner RF)

\*The **Radio motor control unit RF-MSG-DST** should be installed in a protected area despite a high protection category because water can enter in via the connectors. Please observe the instructions in Chapter *Connection*.

The product conforms with the provisions of EU directives.

## 2. Installation and start-up

### 2.1. Installation notes



Installation, testing, operational start-up and troubleshooting should only be performed by an electrician.



#### DANGER!

#### Risk to life from live voltage (mains voltage)!

There are unprotected live components within the device.

- VDE regulations and national regulations are to be followed.
- Ensure that all lines to be assembled are free of voltage and take precautions against accidental switching on.
- Do not use the device if it is damaged.
- Take the device or system out of service and secure it against unintentional use, if it can be assumed, that risk-free operation is no longer guaranteed.

The device is only to be used for its intended purpose. Any improper modification or failure to follow the operating instructions voids any and all warranty and guarantee claims.

After unpacking the device, check it immediately for possible mechanical damage. If it has been damaged in transport, inform the supplier immediately.

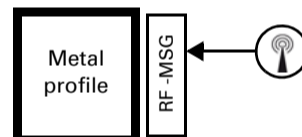
The device may only be used as a fixed-site installation; that means only when assembled and after conclusion of all installation and operational start-up tasks and only in the surroundings designated for it.

Elsner Elektronik is not liable for any changes in norms and standards which may occur after publication of these operating instructions.

### 2.2. Notes on wireless equipment

When planning facilities with devices that communicate via radio, adequate radio reception must be guaranteed. The range of wireless control will be limited by legal regulation and structural circumstances. Avoid sources of interference and obstacles between receiver and transmitter, that could disturb the wireless communication. Those would be for example:

- Walls and ceilings (especially concrete and solar protection glazing).
- Metal surfaces next to the wireless participants (e. g. aluminium construction of a conservatory).
- Other wireless devices and powerful local transmitters (e.g. wireless headphones), which transmit on the same frequency. Please maintain a minimum distance of 30 cm between wireless transmitters for that reason.



The antenna symbol on the housing shows the position of the antenna in **RF-MSG-DST**. This side must not be positioned directly on metal surfaces or objects. Otherwise, the radio signal might be disturbed.

### 2.3. Connection

The radio module is connected between the appliance and the power supply. It may only be connected to flexible lines using STAK/STAS connectors. The connectors must be locked using the locking bow. Use the provided rubber seals between the STAK/STAS connectors. The connectors must be locked using the STASI locking bow.

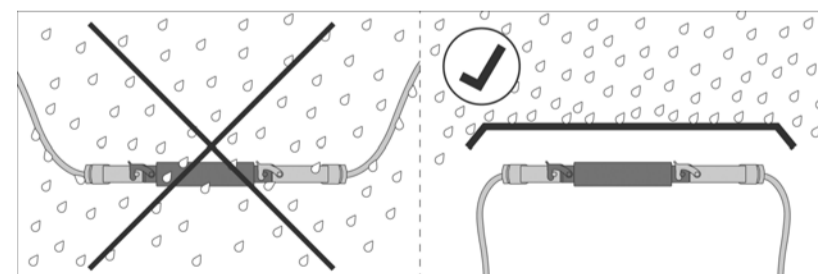
Up to 12 radio motor control units and a power load of up to 1.5 kW can be used per mains connection.



**Do not expose to continuous sun radiation** to avoid overheating. The housing is not UV-resistant.



**No water may run along the supply line and device.**



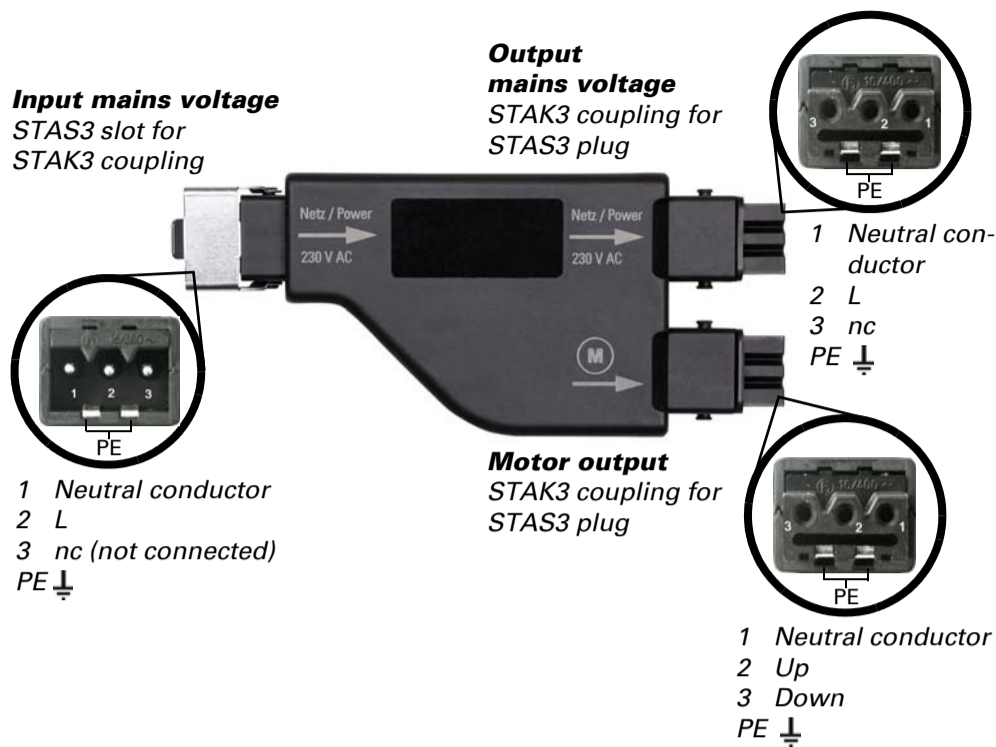
- Assemble the device in a protected area (e. g. in the box for the blinds/marquee/shutters in a construction profile beneath the roof tiles or in a housing).
- Lay the supply lines out and down from the device.



#### No vibrations!

- Assemble the device in a place that is free of vibrations.

### 2.3.1. Connection RF-MSG-DST



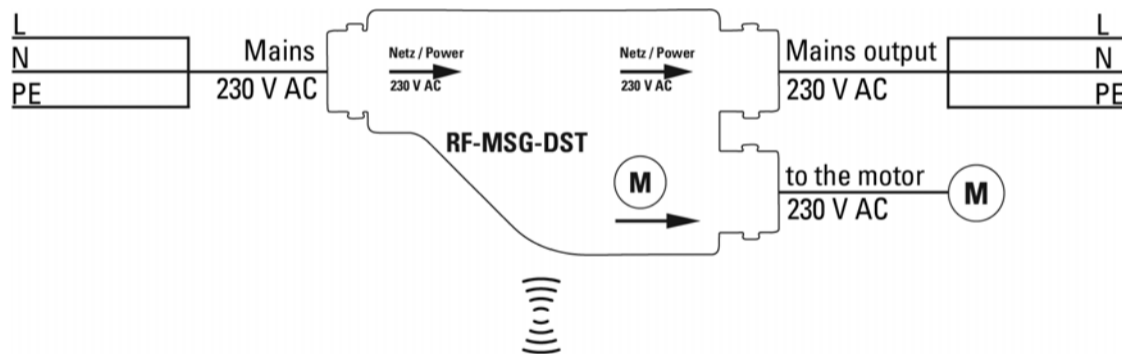
### 2.4. Establish wireless connection

1. Set the control unit and/or remote control or the button to teaching mode (observe the corresponding manual/data sheet)
2. Switch on the **RF-MSG-DST** voltage supply or briefly shut it off if the unit is already supplied with power.
3. For 5 minutes after connecting the voltage, the **RF-MSG-DST** will send a "Learn" telegram every 10 seconds.
4. The wireless connection will be established automatically. For building control systems, the display will display "Device is learning".
5. The **RF-MSG-DST** will stop sending "Learn" telegrams once the reply "Learned" (for a learning process) or a control command is received (in the event of a power interruption during operation).

### 2.5. Notes on mounting and commissioning

Device must not be exposed to water (rain). This could result in the electronic being damaged. A relative air humidity of 95% must not be exceeded. Avoid bedewing.

### 2.6. Connection example



Radio communication via a remote control or a building control system.

Mains connection wire and connection wires are available in different lengths as accessories.

Item numbers: Mains connection wire 60563 (5 m)  
Connection wires 60565 (1 m), 60566 (2,5 m), 60567 (5 m)