

Fix P

Pole mount for weather stations and sensors

Technical specifications and installation instructions

Item number 30129



1. Description

With the **Pole mount Fix P** weather stations and sensors can be flexibly fitted to a mast. Following sensors can be fitted to the mast mount:

- Weather stations Suntracer KNX (basic), Suntracer KNX-GPS and KNX-weather sensors
- Weather station for the Solexa, Solexa II, Arexa controls
- Weather station P03-RS485 and RS485-weather sensors
- P03-modbus weather stations
- Weather stations Suntracer KNX sl (including light and basic) and KNX sl-weather sensors
- Weather station P04i-GPS (controls WS1/WS100 Color/Style and KNX WS1000 Style)
- Weather stations P04-RS485
- Sensors Vari KNX

1.0.1. Scope of delivery

- Pole mount
- 2x cylinder head screw DIN 912 M4x20 stainless steel version for Vari
- 2x cylinder head screw DIN 912 M4x25 stainless steel version for P04/Suntracer sl
- 2x cylinder head screw DIN 912 M4x8 stainless steel version for P03/Solexa/Suntracer
- 2x washers DIN 125 4.3 stainless steel version (is needed for all variants)
- 2x worm drive hose clip Ø 40-60mm

1.1. Technical specifications

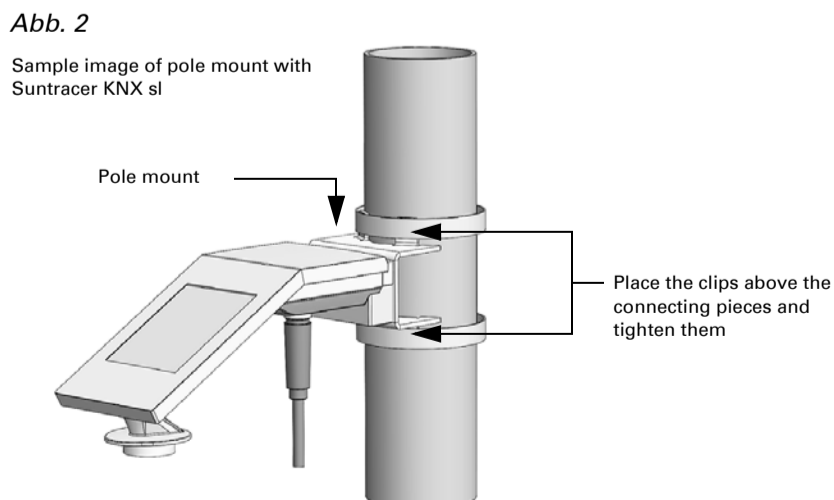
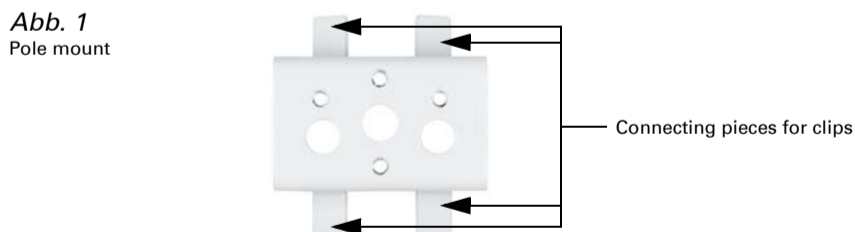
Colour	powder-coated white RAL 9003
Dimensions	approx. 55 x 58 x 30 (W x H x D, mm)
Weight	approx. 24 g (only pole mount)

The product is compliant with the provisions of EU guidelines.

2. Assembly

2.1. Fixation at the pole

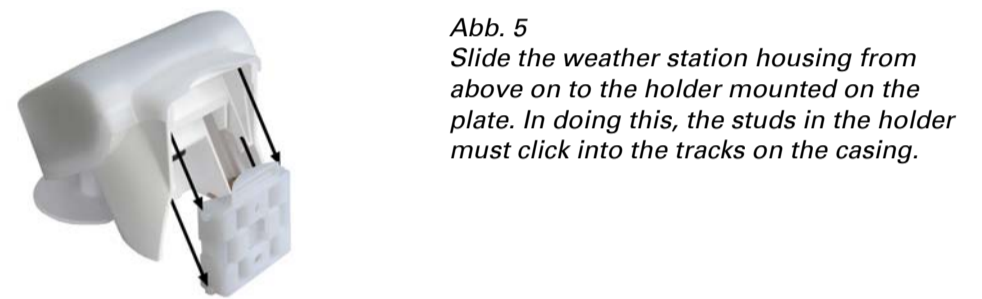
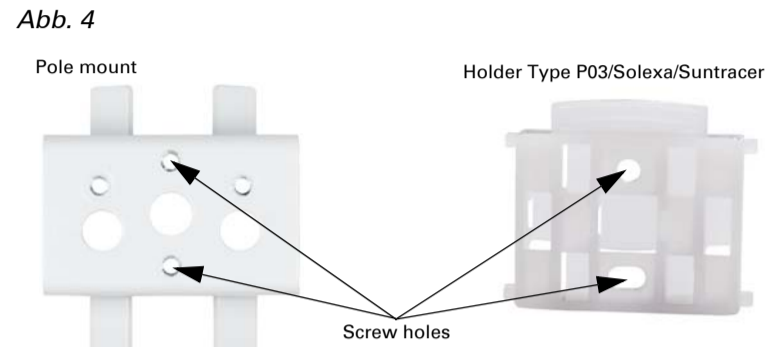
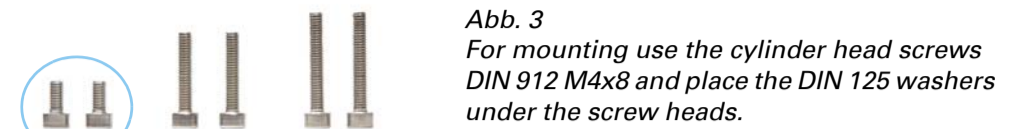
Attach the **Pole mount Fix P** with the enclosed worm drive hose clips to the pole. With the clips the connecting pieces at the top and bottom are securely attached to the pole.



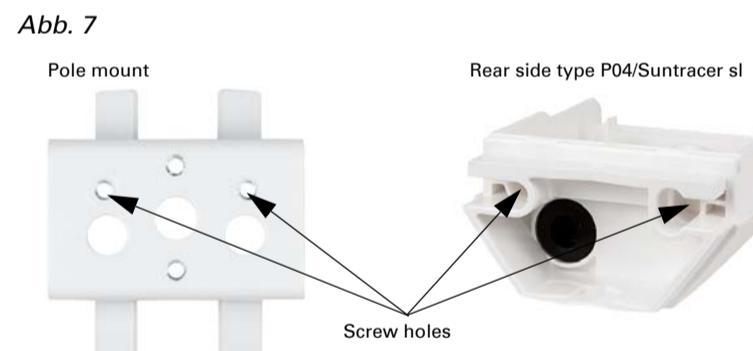
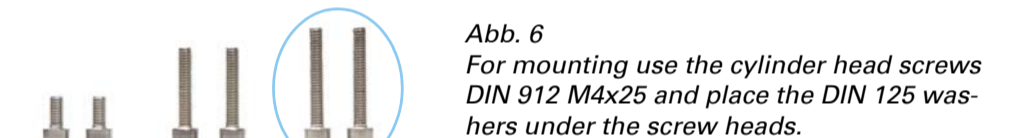
2.2. Affix sensor

At first, attach the housing bottom part to the pole mount and then install the device.

2.2.1. Type P03/Solexa/Suntracer

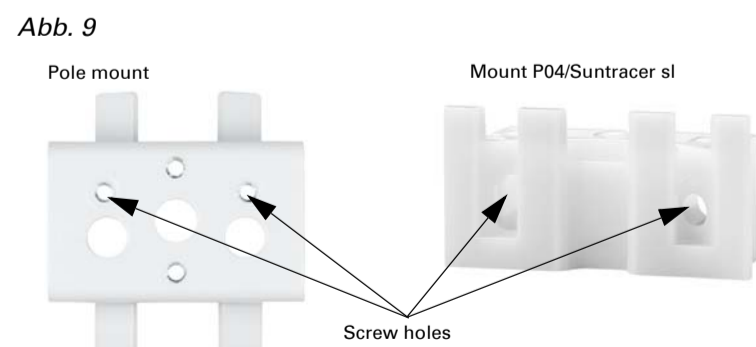
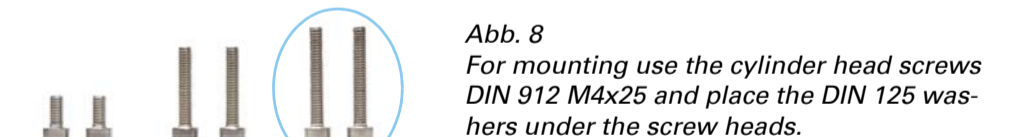


2.2.2. Type P04/Suntracer sl



The holes in the lower part of the housing must be carefully broken out for the screw fastening. The lower part of the housing is screwed together with the pole mount from the inside.

2.2.3. Type P04/Suntracer sl – new connection system 2018



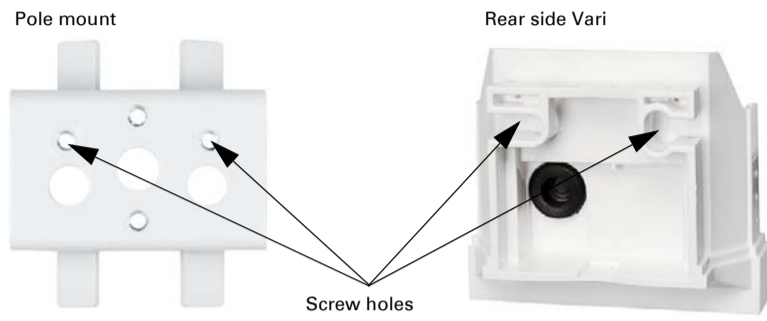
Lower the device onto the mount. Tighten the screw of the mount to secure the device.

2.2.4. Type Vari



Abb. 10
For mounting use the cylinder head screws
DIN 912 M4x20 and place the DIN 125 was-
hers under the screw heads.

Abb. 11



The holes in the lower part of the housing must be carefully broken out for the screw fastening. The lower part of the housing is screwed together with the pole mount from the inside.