



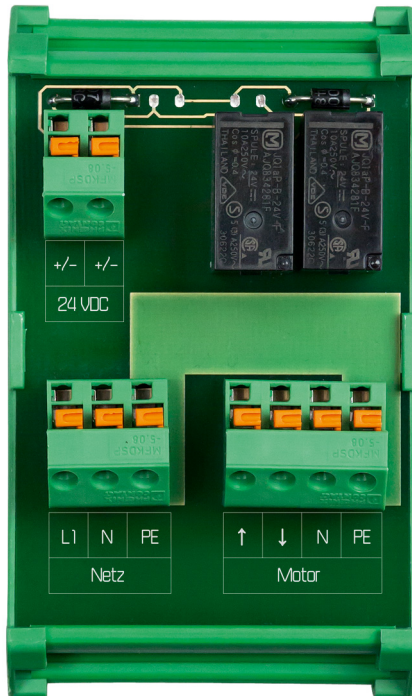
# RP-H PW

## Potential-free relay

---

### Technical specifications and installation instructions

Item number 2022



**Elsner Elektronik GmbH** Control and Automation Engineering

Sohlengrund 16  
75395 Ostelsheim  
Germany

Phone +49 (0) 70 33 / 30 945-0 info@elsner-elektronik.de  
Fax +49 (0) 70 33 / 30 945-20 www.elsner-elektronik.de

---

Technical support: +49 (0) 70 33 / 30 945-250

# 1. Description

The potential-free **RP-H PW relay** transfers 24 V DC commands with pole reversal to other control systems. An external power supply (L1/N/PE) sets the voltage at the output (up to 230 V AC).

## Functions:

- Control input 24 V DC with polarity-changing
- Potential-free output (Up/Down/N/PE, max. 230 V AC)
- An external power supply (L/N/PE, max. 230 V AC) is required to feed the output

## 1.0.1. Deliverables

- Power supply unit for series installation (3 part-units)

## 1.1. Technical specifications

Assembly	Series installation on mounting rail
Protection category	IP 20
Dimensions	approx. 53 × 90 × 50 (W × H × D, mm), 3U
Weight	approx. 70 g
Ambient temperature	Operation -40...+50 °C, storage -55...+90°C
Ambient humidity	max. 95% RH, avoid condensation
Control input	24 V DC with polarity reversal, +/-
Output	1 × potential-free, Up/Down/N/PE, max. 5 A. External power supply required, max. 230 V AC, 50 Hz (L1/N/PE)
Cable cross-section	Nominal cross-section, 1 mm <sup>2</sup> (rigid: 0.2...1.5 mm <sup>2</sup> , flexible 0.2...1 mm <sup>2</sup> ), Insulation stripping length 10 mm

The product conforms with the provisions of EU directives.

# 2. Installation and commissioning

## 2.1. Installation notes



Installation, testing, operational start-up and troubleshooting should only be performed by an electrician.



### **DANGER!**

#### **Risk to life from live voltage (mains voltage)!**

There are unprotected live components within the device.

- VDE regulations and national regulations are to be followed.

- Ensure that all lines to be assembled are free of voltage and take precautions against accidental switching on.
- Do not use the device if it is damaged.
- Take the device or system out of service and secure it against unintentional use, if it can be assumed, that risk-free operation is no longer guaranteed.

The device is only to be used for its intended purpose. Any improper modification or failure to follow the operating instructions voids any and all warranty and guarantee claims.

After unpacking the device, check it immediately for possible mechanical damage. If it has been damaged in transport, inform the supplier immediately.

The device may only be used as a fixed-site installation; that means only when assembled and after conclusion of all installation and operational start-up tasks and only in the surroundings designated for it.

Elsner Elektronik is not liable for any changes in norms and standards which may occur after publication of these operating instructions.

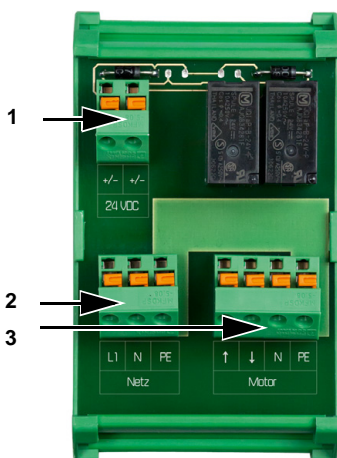
## 2.2. Installation location



**The device must only be installed and operated in dry, indoor spaces. Avoid condensation.**

The **RP-H PW relay** is designed for series installation on mounting rails and occupies 3U.

## 2.3. Connection



*Fig. 1: Device design*

- 1 "24 V DC" terminal:  
Control input 24 V DC with polarity reversal (+/-)
- 2 "mains" terminals:  
Power supply for output "Motor", max. 230 V AC (L1/N/PE)
- 3 "Motor" terminal:  
Control output (Up/Down/N/PE).  
Power supply via "mains" terminal

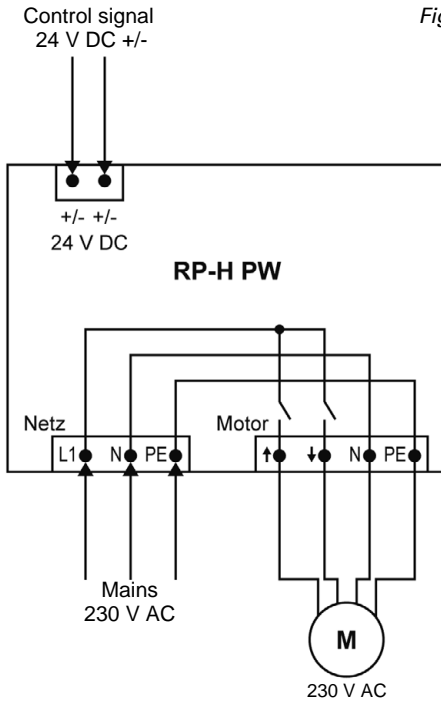


Fig. 2: Connection diagram