

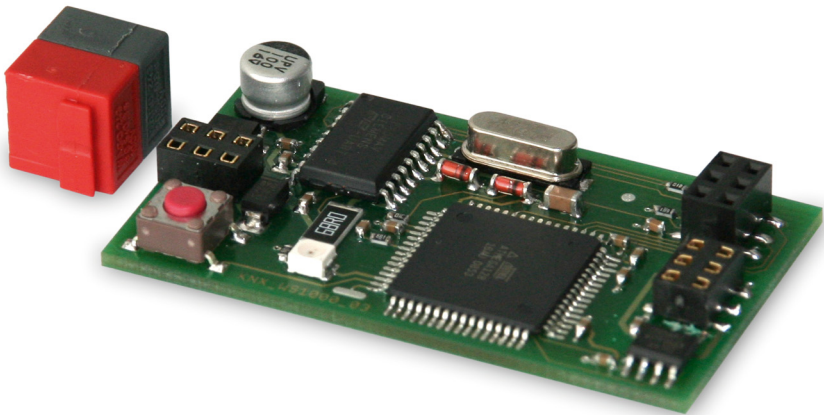


KNX Interface

**For Building Control System WS1000 Color
or WS1000 Style**

Technical specifications and installation instructions

Item number 70190



Elsner Elektronik GmbH Control and Automation Engineering

Sohlengrund 16
75395 Ostelsheim
Germany

Phone +49 (0) 70 33 / 30 945-0 info@elsner-elektronik.de
Fax +49 (0) 70 33 / 30 945-20 www.elsner-elektronik.de

Technical support: +49 (0) 70 33 / 30 945-250

1. Description

The **KNX Interface for WS1000** allows for communication between the WS1000 Color or WS1000 Style Control System and the KNX bus system. On the one hand, data of the control unit can be sent to the KNX bus (e. g. weather data). On the other hand, the WS1000 can control drives in the KNX system directly and use sensor data from the KNX system.

Functions:

- **Transmission of data from WS1000 Color/Style to the KNX bus:** date/time, position, weather data
- **Control of actuators** in the KNX bus system by the automatic functions of the WS1000 Color/Style: awnings, blinds, roller shutters, windows, light
- **Transmission of bus data to the WS1000 Color/Style:** sensor data, push-button commands

Configuration is made using the KNX software ETS. The **product file** can be downloaded from the Elsner Elektronik homepage on www.elsner-elektronik.de in the "Service" menu.

1.1. Scope of delivery

- Interface
- KNX bus connector terminal

Interface and bus connector terminal are plugged on the board of the Control System WS1000 Color/WS1000 Style.

1.2. Technical specifications

Mounting	is plugged on the board of the Control WS1000
Dimensions	approx. 53 × 7 × 30 (W × H × D, mm)
Weight	approx. 10 g
Ambient temperature	operation 0...+50°C, storage -30...+70°C, avoid bedewing
Operating voltage	KNX bus voltage
Bus current	max. 5,5 mA, max. 9 mA when programming LED is active
Data output	KNX +/- bus connector terminal
BCU type	own micro controller
PEI type	0
Group addresses	max. 254
Assingments	max. 254
Communication objects	254

The product conforms with the provisions of EU directives.

2. Installation and commissioning

2.1. Installation notes



Installation, testing, operational start-up and troubleshooting should only be performed by an electrician.



DANGER!

Risk to life from live voltage (mains voltage)!

There are unprotected live components within the device.

- VDE regulations and national regulations are to be followed.
 - Ensure that all lines to be assembled are free of voltage and take precautions against accidental switching on.
 - Do not use the device if it is damaged.
 - Take the device or system out of service and secure it against unintentional use, if it can be assumed, that risk-free operation is no longer guaranteed.
-

The device is only to be used for its intended purpose. Any improper modification or failure to follow the operating instructions voids any and all warranty and guarantee claims.

After unpacking the device, check it immediately for possible mechanical damage. If it has been damaged in transport, inform the supplier immediately.

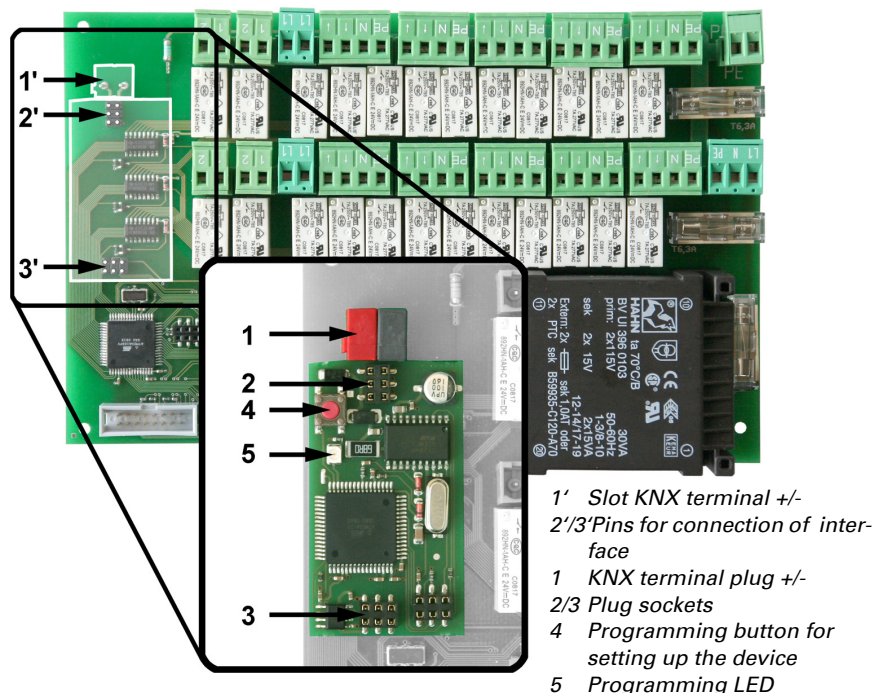
The device may only be used as a fixed-site installation; that means only when assembled and after conclusion of all installation and operational start-up tasks and only in the surroundings designated for it.

Elsner Elektronik is not liable for any changes in norms and standards which may occur after publication of these operating instructions.

2.2. Mounting and connection

Please take note of the chapters about installation of the control unit WS1000 in the manual of WS1000 Color/Style.

2.2.1. Fitting the interface to the board of WS1000



2.2.2. Connection

The **KNX Interface for WS1000** is plugged on the connection board of the WS1000 Color or WS1000 Style. There are 2 blocks with 6 pins each for this purpose (no. 2' and 3'). Place the interface on the pins and push it down.

Connect the KNX bus cable to the bus connector (red/black) and plug the connector to the slot of the WS1000 board (no. 1').

Before closing the housing of the control again, set up the bus connection with the programming button (no. 4). The KNX interface is displayed in the starting sequence of the control (KNX interface found).